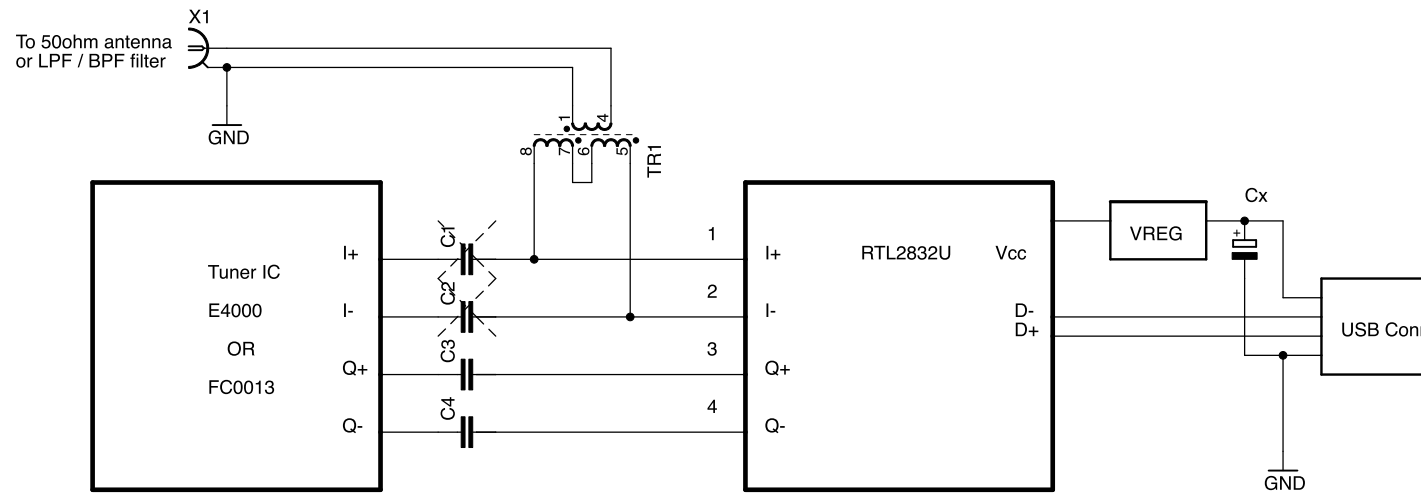


DVB-T USB dongle mods for HF 0 - 28 MHz reception by YU3MA



NOTES:

TR1 - Wideband RF transformer 1:4 (50ohm : 200ohm)
Use Mini Circuits T1-6T-KK81 for best performance or build width Amidon FT37-43 ferrite core, 5 turns trifilar winding.
Other high frequency cores can be used (example, from LAN magnetics). Wire diameter is not important.

C1, C2 - Remove (unsolder) from PCB

Cx - Add Tantalum capacitor 1uF / 16V

X1 - 50ohm RF connector
Low pass filter (LPF) for 30MHz or band specific filter (BPF) is strongly advised before connecting to HF antenna.

DVB-T USB dongle mods for HF 0 - 28MHz reception

<http://mikikg.wordpress.com>

TITLE: rtl2832u-dc-mods

Document Number:

REU:
1

Date: 8/22/12 12:41 AM

Sheet: 1/1