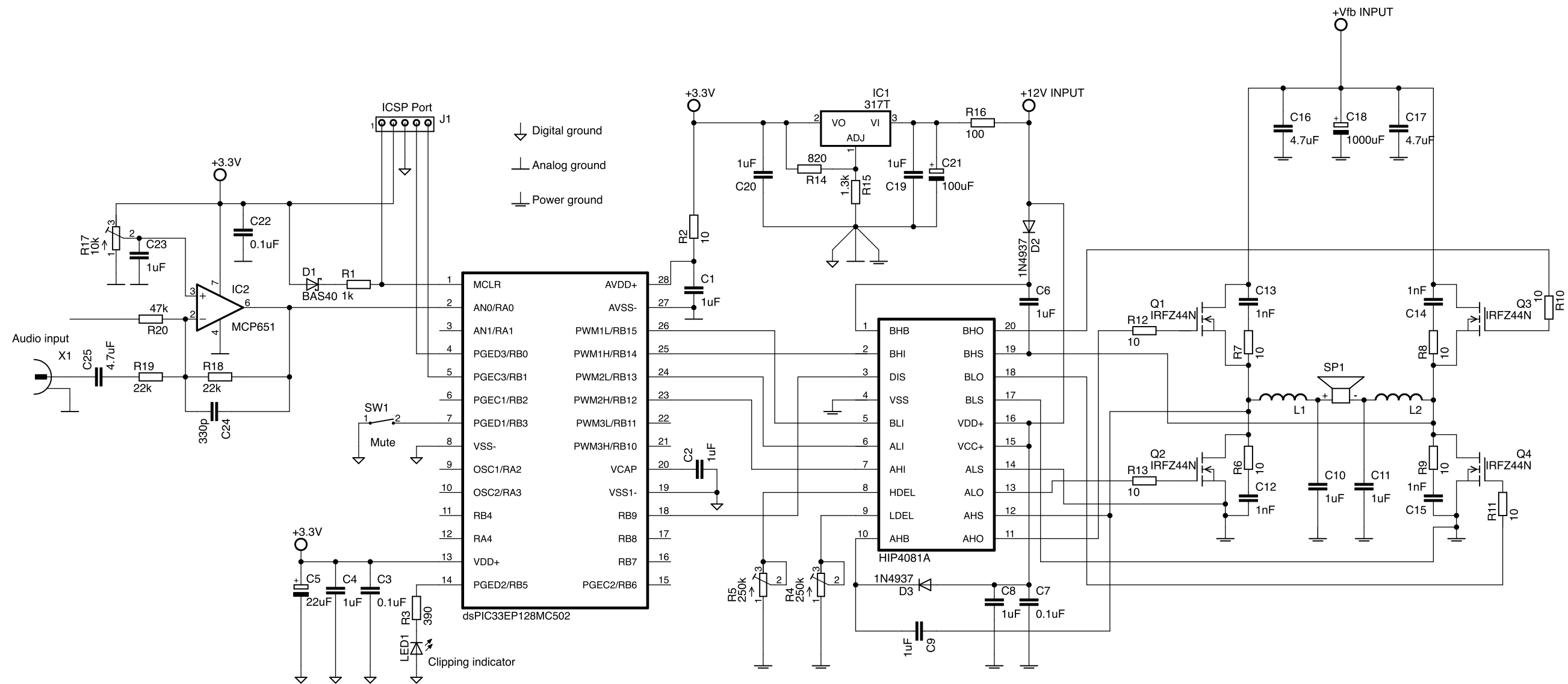


A DSP Based Class D Audio Amplifier by YU3MA

DRAFT VERSION



Amplifier features:

- DSP digital PWM modulator
- Open loop design
- Full bridge output stage
- 3-level PWM modulation
- Single supply power rail
- Digital input signal clipping indicator
- Over current speaker protection *
- Adjustable death-time
- Digital mute
- Stand-by option
- High efficiency
- Compact design without heatsink

A DSP Based Class D Audio Amplifier by YU3MA

<http://yu3ma.net>

TITLE: D-Class-D

Document Number:

REV:
3

Date: 8/8/13 2:14 AM

Sheet: 1/1