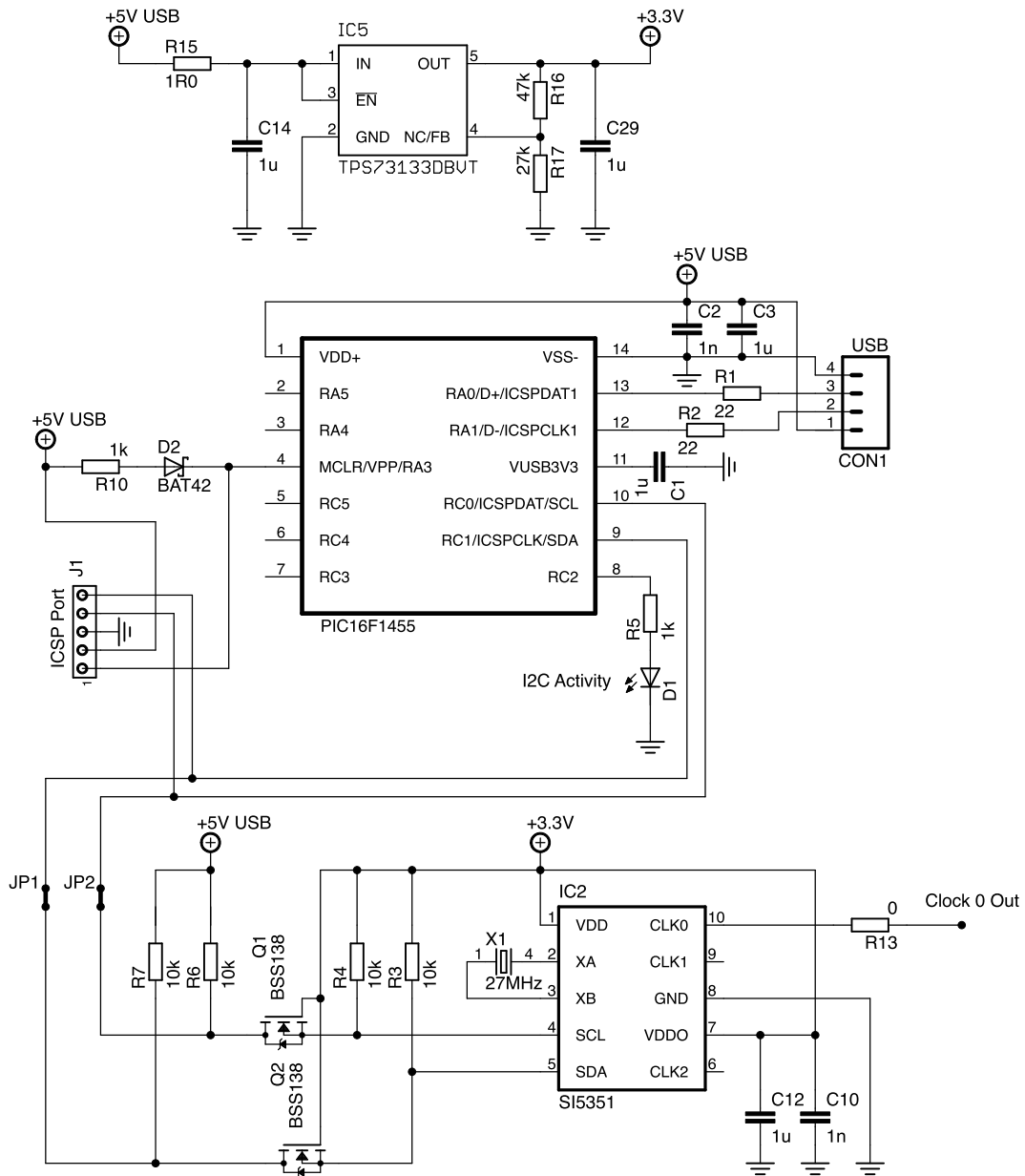


# Si5351 USB controller by YU3MA



**NOTES:**

JP1 and JP2 need to be open while using ICSP port to program PIC device.  
For normal operation, JP1 and JP2 need to be shorted.

For PIC firmware and usage example please visit <http://yu3ma.net>

Si5351 USB controller by YU3MA

<http://yu3ma.net>

TITLE: Si5351-USB

Document Number:

REV:  
1

Date: 7/31/13 11:27 PM

Sheet: 1/1